

Radial Power Inductors - RCB0608P SERIES



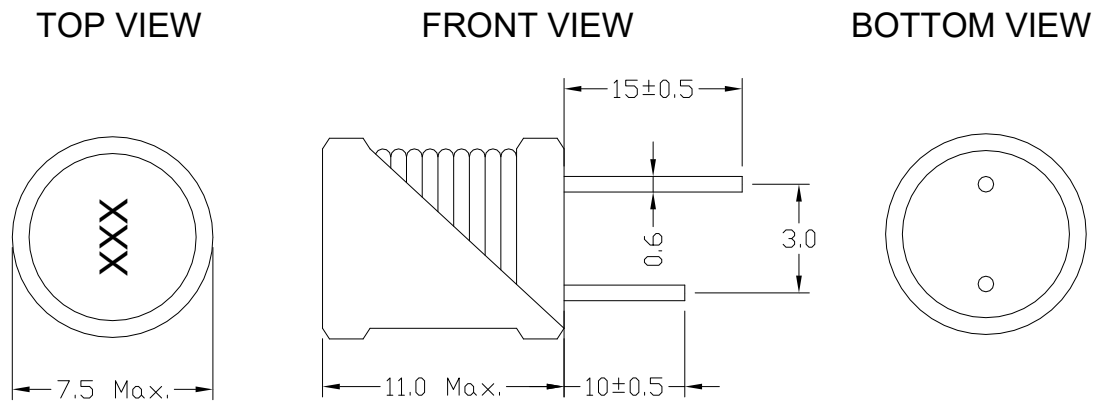
PART NUMBERING SYSTEM

RCB	0608U	—	101K	—	LF
TYPE	DIMENSIONS		INDUCTANCE		LEAD FREE

U : UL Tube ; P : PET Tube

SHAPES AND DIMENSIONS

UNIT : mm



STRUCTURAL DIAGRAM :

COMPONENT	MATERIALS
1.Core	Ferrite core
2.Wire	Polyurethane enameled copper wires
3.Lead wire	Tinned copper wires
4.Tube	Heat shrinkable tube, PET or UL
5.Glue	Epoxy resin

FEATURES :

1. **Low cost, high efficiency** option for choke applications
2. Inductance values from **68uH to 47,000 μH**
3. Industry standard **3.5 mm lead spacing**
4. **RoHS-compliant.**



Radial Power Inductors - RCB0608P SERIES



SPECIFICATION TABLE

PART NUMBER	INDUCTANCE (μ H)	Q (Min.)	DCR (Ω) (Max.)	IDC (mA) (Max.)	SRF(MHz) (Min.)	TEST FREQ. (Freq.)
RCB0608P-680K-LF	68 \pm 10%	20	0.37	750	7.0	2.52MHz
RCB0608P-820K-LF	82 \pm 10%	20	0.39	740	6.5	2.52MHz
RCB0608P-101K-LF	100 \pm 10%	30	0.44	710	5.7	796KHz
RCB0608P-121K-LF	120 \pm 10%	30	0.64	680	5.2	796KHz
RCB0608P-151K-LF	150 \pm 10%	35	0.73	600	4.7	796KHz
RCB0608P-181K-LF	180 \pm 10%	35	0.82	540	4.2	796KHz
RCB0608P-221K-LF	220 \pm 10%	35	0.92	450	3.7	796KHz
RCB0608P-271K-LF	270 \pm 10%	30	1.3	420	3.5	796KHz
RCB0608P-331K-LF	330 \pm 10%	40	1.5	400	3.2	796KHz
RCB0608P-391K-LF	390 \pm 10%	25	1.8	370	2.9	796KHz
RCB0608P-471K-LF	470 \pm 10%	35	2.3	340	2.4	796KHz
RCB0608P-561K-LF	560 \pm 10%	35	3.0	280	2.2	796KHz
RCB0608P-681K-LF	680 \pm 10%	45	3.25	250	2.0	796KHz
RCB0608P-821K-LF	820 \pm 10%	40	4.16	230	1.6	796KHz
RCB0608P-102K-LF	1000 \pm 10%	80	4.55	210	1.5	252MHz
RCB0608P-122K-LF	1200 \pm 10%	80	5.20	200	1.4	252MHz
RCB0608P-152K-LF	1500 \pm 10%	75	7.54	180	1.3	252MHz
RCB0608P-182K-LF	1800 \pm 10%	80	7.54	160	1.2	252MHz
RCB0608P-222K-LF	2200 \pm 10%	80	8.32	150	1.1	252MHz
RCB0608P-272K-LF	2700 \pm 10%	80	9.62	130	1.0	252MHz
RCB0608P-332K-LF	3300 \pm 10%	80	10.92	130	0.85	252MHz
RCB0608P-392K-LF	3900 \pm 10%	80	16.12	100	0.78	252MHz
RCB0608P-472K-LF	4700 \pm 10%	80	17.81	85	0.68	252MHz
RCB0608P-562K-LF	5600 \pm 10%	80	20.0	70	0.62	252MHz
RCB0608P-682K-LF	6800 \pm 10%	80	27.3	65	0.61	252MHz
RCB0608P-822K-LF	8200 \pm 10%	80	31.2	60	0.60	252MHz
RCB0608P-103K-LF	10000 \pm 10%	80	39.0	58	0.48	79.6KHz
RCB0608P-123K-LF	12000 \pm 10%	80	42.9	56	0.44	79.6KHz
RCB0608P-153K-LF	15000 \pm 10%	70	65.0	53	0.35	79.6KHz
RCB0608P-183K-LF	18000 \pm 10%	75	72.8	50	0.30	79.6KHz
RCB0608P-223K-LF	22000 \pm 10%	80	82.55	46	0.28	79.6KHz
RCB0608P-273K-LF	27000 \pm 10%	80	95.42	42	0.25	79.6KHz
RCB0608P-333K-LF	33000 \pm 10%	70	135.2	38	0.23	79.6KHz
RCB0608P-393K-LF	39000 \pm 10%	70	154.7	37	0.20	79.6KHz
RCB0608P-473K-LF	47000 \pm 10%	70	172.9	35	0.16	79.6KHz

- DC current at which the inductance drops 10% (typ) from its value without current.
- Operating temperature range -40 $^{\circ}$ C to +125 $^{\circ}$ C , Electronical specifications at 25 $^{\circ}$ C